

G325A6

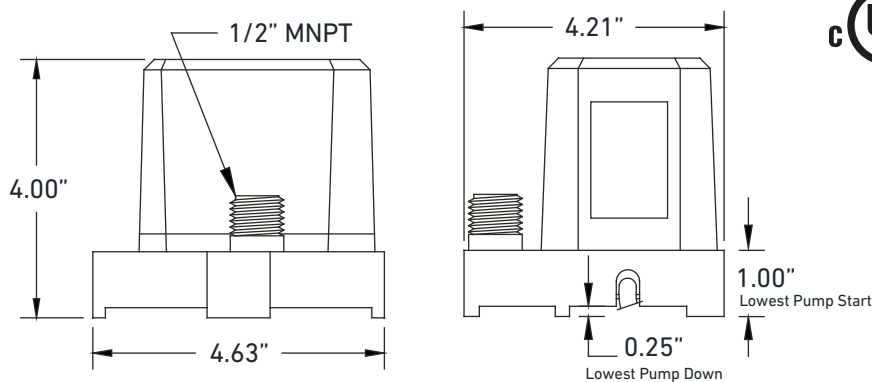
BOTTOM INTAKE DIRECT DRIVE PUMP

FOR 115V,60Hz

Beckett's submersible pump line offers top of the line epoxy encapsulated (not oil filled), 115V,60Hz or 230V, 50/60Hz design to meet all your continuous duty requirements. They are low maintenance, environmentally safe, and can be used in a variety of industrial applications. Each pump features a heavy-duty motor for maximum output and reliability.

FEATURES:

- 11.1ft. max lift, 115vac
- UL listed
- Low maintenance high torque motor
- No oil filled
- Pump water as shallow as 0.25"
- 6ft power cord with plug
- 1/2" MNPT discharge, fits 3/4" ID PVC tubing



Model #	H	W	L	Outlet	Inlet	Volts	Amps	Watts	Gallons per hour					Max Lift (ft.)	Weight Lb. Each	6 Ft. Cord w/plug	cUL ^{us}
									1'	2'	4'	6'	8'				
G325A6	4.0"	4.3"	4.8"	1/2" MNPT	Screen, Bottom	115	0.8	50	425	405	342	276	192	11.1	3.8	√	√

DESIGNED FOR SUBMERSIBLE USE ONLY

Average Performance