

# Designed to Perform. Built to Last.

## OEM Expertise

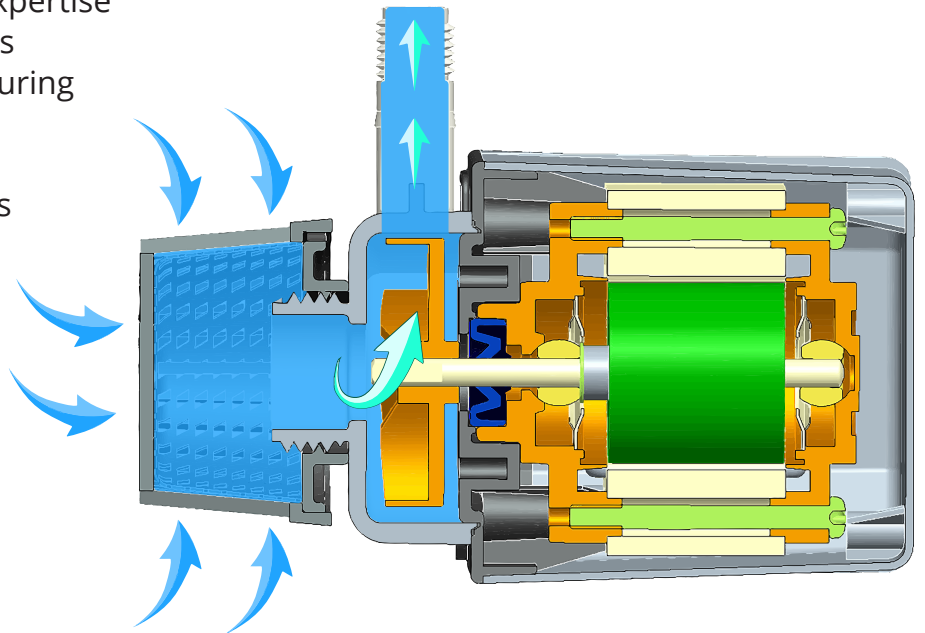
- 75 Years of Pump Experience & Expertise
- Wide Range of Pump Technologies
- In-house Engineering & Manufacturing
- Control Switches & Sensors
- Cost and Quality Driven Culture
- Flexible and Responsive Processes
- Third-Party Certifications

## Application Experience

- CRAC (Computer Room A/C)
- Ice and Refrigeration
- Portable Cooling
- Parts Washers
- Tile/Wet Saws and others

## Certifications

- ISO 9001:2015, C-TPAT
- UL, CSA, CE, PSE, NOM, IEC, TUV, GS, UKCA, CB Certifications
- Plus NSF, RoHS, REACH, WEEE, and others upon request





## OEM Brands We've Worked With

